

Saturday Afternoon Pairs Saturday Aft Session October 27, 2018

Scores after 6 rounds		Average: 60.0		Section A North-South		
Pair	Pct	Score	Section Rank			MPs
			A	B	C	
6	58.33	70.00	A	1		1.30(A) Vicki Lerner - David Strauss
4	55.42	66.50	C	2	1	0.91(A) J Michael Held - Sheila Stuart
3	48.33	58.00	A			Gary Mankin - Gary Porter
2	47.08	56.50	B		2	0.62(B) Jeanette Shinsako - Kate Jeffus
1	45.42	54.50	C			Sharon Lee - Bruce Osterweil
5	45.42	54.50	B			Maria Abbott - Joan Weiss

Saturday Afternoon Pairs Saturday Aft Session October 27, 2018

Scores after 6 rounds		Average: 60.0		Section A East-West		
Pair	Pct	Score	Section Rank			MPs
			A	B	C	
4	61.25	73.50	B	1	1	1.30(A) Tom Mc Kelvey - John Santibanes
2	58.33	70.00	B	2	2	0.91(A) Richard Rogers - Stephanie Rogers
3	48.75	58.50	B			Marion Robertson - Deborah Drysdale
1	46.25	55.50	A			Steven Kipperman - Kimberly Fanady
6	42.92	51.50	A			Robin Roche - Steven Smolen
5	42.50	51.00	C			Lillemor Leichum - Serena Greening

Board 1
 North Deals
 None Vul

♠ A 7 6
 ♥ 3
 ♦ Q J 10 8 7 2
 ♣ J 10 3
 ♠ 4 2
 ♥ K Q J 7 6 4 2
 ♦ A
 ♣ K 9 4
 ♠ K 9 3
 ♥ A 10 9 5
 ♦ K 6 5 3
 ♣ A 5
 ♠ Q J 10 8 5
 ♥ 8
 ♦ 9 4
 ♣ Q 8 7 6 2



EW 6N; EW 6♥; EW 1♠; EW 1♦; EW 1♣; Par -990

Contract	Score		Matchpoints			Pair	
	N-S	E-W	N-S	E-W	N-S	E-W	
5 ♥ W 6		480	4.00	1.00	1-Lee-Osterweil	1-Kipperman-Fanady	
4 ♥ W 6		480	4.00	1.00	3-Mankin-Porter	5-Leichum-Greening	
4 ♥ W 6		480	4.00	1.00	6-Lerner-Strauss	6-Roche-Smolen	
4 ♥ W 7		510	2.00	3.00	4-Held-Stuart	2-Rogers-Rogers	
6 ♥ W 6		980	0.50	4.50	2-Shinsako-Jeffus	3-Robertson-Drysdale	
6 ♥ E 6		980	0.50	4.50	5-Abbott-Weiss	4-Mc Kelvey-Santibanes	

Board 2
 East Deals
 N-S Vul

♠ A Q J ♥ A K 6 2 ♦ Q 10 9 6 4 3 ♣ —	<div style="background-color: green; color: white; padding: 5px; display: inline-block;"> N W E S </div>	♠ 9 7 6 5 ♥ Q 8 5 ♦ 5 2 ♣ K 10 9 5 ♠ 4 2 ♥ 10 4 3 ♦ A K ♣ Q 8 6 4 3 2 ♠ K 10 8 3 ♥ J 9 7 ♦ J 8 7 ♣ A J 7
---	--	---

EW 6♦; EW 5♥; EW 4N; EW 2♠; EW 3♣; Par -920

Contract		Score		Matchpoints		Pair N-S	Pair E-W
		N-S	E-W	N-S	E-W		
3 ♣	E 3		110	5.00	0.00	2-Shinsako-Jeffus	3-Robertson-Drysdale
2 ♦	W 4		130	4.00	1.00	5-Abbott-Weiss	4-Mc Kelvey-Santibanes
2 ♦	W 5		150	3.00	2.00	3-Mankin-Porter	5-Leichum-Greening
3 ♦	W 6		170	2.00	3.00	6-Lerner-Strauss	6-Roche-Smolen
3 NT	W 5		460	0.50	4.50	1-Lee-Osterweil	1-Kipperman-Fanady
3 NT	W 5		460	0.50	4.50	4-Held-Stuart	2-Rogers-Rogers


Board 3
 South Deals
 E-W Vul

♠ 8 ♥ Q 9 5 ♦ A Q 3 2 ♣ A 10 6 3 2	<div style="background-color: green; color: white; padding: 5px; display: inline-block;"> N W E S </div>	♠ A K Q J 10 9 3 ♥ A 3 ♦ J 6 5 ♣ 9 ♠ 7 6 2 ♥ J 4 2 ♦ 10 8 4 ♣ K J 8 7 ♠ 5 4 ♥ K 10 8 7 6 ♦ K 9 7 ♣ Q 5 4
---	--	---

NS 4♠; EW 2♣; NS 1♥; EW 1♦; Par +420

Contract	Score		Matchpoints		Pair	
	N-S	E-W	N-S	E-W	N-S	E-W
5 ♠ N 5	450		5.00	0.00	6-Lerner-Strauss	6-Roche-Smolen
4 ♠ N 4	420		3.00	2.00	2-Shinsako-Jeffus	3-Robertson-Drysdale
4 ♠ N 4	420		3.00	2.00	3-Mankin-Porter	5-Leichum-Greening
4 ♠ N 4	420		3.00	2.00	4-Held-Stuart	2-Rogers-Rogers
4 ♠ N -1		50	0.50	4.50	1-Lee-Osterweil	1-Kipperman-Fanady
4 ♠ N -1		50	0.50	4.50	5-Abbott-Weiss	4-Mc Kelvey-Santibanes


Board 4
West Deals
Both Vul

<p>♠ A K Q ♥ J 10 9 8 3 ♦ 10 7 6 ♣ K 3</p>		<p>♠ J 5 4 3 ♥ A Q 2 ♦ — ♣ A J 9 7 5 4</p> <p>♠ 9 2 ♥ — ♦ A J 9 5 4 3 ♣ Q 10 8 6 2</p> <p>♠ 10 8 7 6 ♥ K 7 6 5 4 ♦ K Q 8 2 ♣ —</p>
--	--	--

EW 3♦; EW 1N; NS 1♠; NS 1♥; EW 1♣; Par -110

Contract	Score		Matchpoints		Pair	
	N-S	E-W	N-S	E-W	N-S	E-W
2 ♠ × N 3	870		5.00	0.00	6-Lerner-Strauss	6-Roche-Smolen
2 ♣ N -2		200	4.00	1.00	3-Mankin-Porter	5-Leichum-Greening
2 ♣ N -4		400	3.00	2.00	1-Lee-Osterweil	1-Kipperman-Fanady
3 ♣ N -5		500	2.00	3.00	2-Shinsako-Jeffus	3-Robertson-Drysdale
3 ♣ × N -3		800	0.50	4.50	4-Held-Stuart	2-Rogers-Rogers
4 ♠ × S -3		800	0.50	4.50	5-Abbott-Weiss	4-Mc Kelvey-Santibanes

Board 5
North Deals
N-S Vul

<p>♠ J 7 ♥ K J 10 7 2 ♦ Q 9 6 2 ♣ 5 3</p>		<p>♠ Q 8 ♥ 6 3 ♦ A J 8 7 4 3 ♣ 8 6 4</p> <p>♠ A 10 6 5 4 3 2 ♥ Q ♦ — ♣ A K Q 9 7</p> <p>♠ K 9 ♥ A 9 8 5 4 ♦ K 10 5 ♣ J 10 2</p>
---	--	---

EW 5♠; EW 5♣; NS 1N; EW 1♥; NS 1♦; Par -450

Contract	Score		Matchpoints		Pair	
	N-S	E-W	N-S	E-W	N-S	E-W
6 ♠ E -1	50		5.00	0.00	1-Lee-Osterweil	6-Roche-Smolen
1 ♠ E 6		230	4.00	1.00	6-Lerner-Strauss	5-Leichum-Greening
4 ♠ E 5		450	1.50	3.50	2-Shinsako-Jeffus	2-Rogers-Rogers
4 ♠ E 5		450	1.50	3.50	3-Mankin-Porter	4-Mc Kelvey-Santibanes
4 ♠ E 5		450	1.50	3.50	4-Held-Stuart	1-Kipperman-Fanady
4 ♠ E 5		450	1.50	3.50	5-Abbott-Weiss	3-Robertson-Drysdale


Board 6
 East Deals
 E-W Vul

♠ A 10 8 5 4 2	<div style="display: inline-block; background-color: green; color: white; padding: 5px; border: 1px solid black;"> N W E S </div>	♠ Q
♥ K		♥ 10 9 5 4 3
♦ 9 6 5		♦ K J 8 2
♣ A Q 10		♣ J 6 4
		♠ K 9 6 3
		♥ A J 8 7
		♦ A 10 4
		♣ K 3

EW 2♠; EW 1N; EW 2♦; EW 1♥; S 1♣; Par -110

Contract	Score		Matchpoints		Pair	Pair
	N-S	E-W	N-S	E-W		
2 ♠ W -1	100		5.00	0.00	6-Lerner-Strauss	5-Leichum-Greening
2 ♠ W 2		110	2.50	2.50	1-Lee-Osterweil	6-Roche-Smolen
2 ♠ W 2		110	2.50	2.50	2-Shinsako-Jeffus	2-Rogers-Rogers
2 ♠ W 2		110	2.50	2.50	3-Mankin-Porter	4-Mc Kelvey-Santibanes
2 ♠ W 2		110	2.50	2.50	4-Held-Stuart	1-Kipperman-Fanady
2 ♠ W 3		140	0.00	5.00	5-Abbott-Weiss	3-Robertson-Drysdale

Board 7
 South Deals
 Both Vul

♠ 9 6 4 3 ♥ 9 8 6 4 ♦ 7 4 ♣ K 10 8		♠ K 10 ♥ A K Q 2 ♦ Q 9 8 5 ♣ J 7 5 ♠ A J 7 5 2 ♥ J 7 5 ♦ K 10 6 ♣ Q 3 ♠ Q 8 ♥ 10 3 ♦ A J 3 2 ♣ A 9 6 4 2
---	--	---

NS 3N; NS 3♥; NS 4♦; NS 4♣; NS 1♠; Par +600

Contract	Score		Matchpoints		Pair	
	N-S	E-W	N-S	E-W	N-S	E-W
3 NTN 4	630		5.00	0.00	5-Abbott-Weiss	3-Robertson-Drysdale
3 NTN 3	600		4.00	1.00	4-Held-Stuart	1-Kipperman-Fanady
3 ♦ N 4	130		2.50	2.50	1-Lee-Osterweil	6-Roche-Smolen
2 ♦ N 4	130		2.50	2.50	6-Lerner-Strauss	5-Leichum-Greening
3 NTN -1		100	0.50	4.50	2-Shinsako-Jeffus	2-Rogers-Rogers
3 NTN -1		100	0.50	4.50	3-Mankin-Porter	4-Mc Kelvey-Santibanes

Board 8
 West Deals
 None Vul

♠ A ♥ J 10 9 7 ♦ A 9 8 7 ♣ K J 10 2	<div style="background-color: green; color: white; padding: 5px; display: inline-block;"> N W E S </div>	♠ J 8 3 2 ♥ A 8 ♦ Q 10 6 3 ♣ 8 6 3 ♠ 9 7 5 4 ♥ 6 3 2 ♦ K 5 4 2 ♣ A 9 ♠ K Q 10 6 ♥ K Q 5 4 ♦ J ♣ Q 7 5 4
--	---	--

EW 2♦; NS 1♠; EW 1♥; EW 1♣; Par -90

Contract	Score		Matchpoints		Pair	Pair
	N-S	E-W	N-S	E-W		
3 NT E -3	150		5.00	0.00	2-Shinsako-Jeffus	2-Rogers-Rogers
2 NT W -2	100		3.50	1.50	4-Held-Stuart	1-Kipperman-Fanady
1 NT E -2	100		3.50	1.50	6-Lerner-Strauss	5-Leichum-Greening
2 NT N -1		50	2.00	3.00	5-Abbott-Weiss	3-Robertson-Drysdale
2 ♦ W 2		90	1.00	4.00	1-Lee-Osterweil	6-Roche-Smolen
2 ♥ S -3		150	0.00	5.00	3-Mankin-Porter	4-Mc Kelvey-Santibanes

Board 9
 North Deals
 E-W Vul

♠ 10 8 4 ♥ A K 5 3 ♦ 10 ♣ A K 8 7 2	<div style="background-color: green; color: white; padding: 5px; display: inline-block;"> N W E S </div>	♠ Q 7 6 3 ♥ 10 7 2 ♦ K Q 2 ♣ J 6 4 ♠ 9 ♥ Q 9 8 ♦ A 8 6 5 ♣ Q 10 9 5 3 ♠ A K J 5 2 ♥ J 6 4 ♦ J 9 7 4 3 ♣ —
--	---	--

EW 6♣; E 4♥; W 3♥; EW 2N; NS 1♠; NS 1♦; Par -1100; NS 6♦×-5; NS 6♠×-5

Contract	Score		Matchpoints		Pair	
	N-S	E-W	N-S	E-W	N-S	E-W
2 ♠ S 4	170		5.00	0.00	3-Mankin-Porter	3-Robertson-Drysdale
4 ♠× S -1		100	3.50	1.50	4-Held-Stuart	6-Roche-Smolen
4 ♠× S -1		100	3.50	1.50	5-Abbott-Weiss	2-Rogers-Rogers
3 ♣ W 5		150	2.00	3.00	1-Lee-Osterweil	5-Leichum-Greening
3 ♣ E 6		170	1.00	4.00	2-Shinsako-Jeffus	1-Kipperman-Fanady
5 ♣ W 6		620	0.00	5.00	6-Lerner-Strauss	4-Mc Kelvey-Santibanes

Board 10
 East Deals
 Both Vul

♠ Q 2 ♥ A 7 4 2 ♦ 5 3 2 ♣ A K J 4	<div style="background-color: green; color: white; padding: 5px; display: inline-block;"> N W E S </div>	♠ A 9 8 6 ♥ K 10 8 3 ♦ K 8 ♣ 9 3 2 ♠ 7 5 4 ♥ J 6 5 ♦ A 10 4 ♣ Q 8 6 5 ♠ K J 10 3 ♥ Q 9 ♦ Q J 9 7 6 ♣ 10 7
--	---	--

NS 3♠; NS 3♦; NS 1N; NS 1♥; EW 1♣; Par +140

Contract	Score		Matchpoints		Pair	
	N-S	E-W	N-S	E-W	N-S	E-W
3 ♣ W -2	200		5.00	0.00	6-Lerner-Strauss	4-Mc Kelvey-Santibanes
1 ♠ S 3	140		4.00	1.00	4-Held-Stuart	6-Roche-Smolen
1 NT E -1	100		2.00	3.00	1-Lee-Osterweil	5-Leichum-Greening
1 NT W -1	100		2.00	3.00	2-Shinsako-Jeffus	1-Kipperman-Fanady
1 NT E -1	100		2.00	3.00	3-Mankin-Porter	3-Robertson-Drysdale
1 NT W 1		90	0.00	5.00	5-Abbott-Weiss	2-Rogers-Rogers


Board 11
 South Deals
 None Vul

♠ A 6 4 ♥ J ♦ 10 8 5 2 ♣ J 10 6 5 2	<div style="background-color: green; color: white; padding: 5px; display: inline-block;"> N W E S </div>	♠ 8 7 3 ♥ 10 8 7 6 2 ♦ 6 3 ♣ Q 8 3 ♠ 9 5 ♥ Q 4 ♦ A Q J 9 4 ♣ A 9 7 4 ♠ K Q J 10 2 ♥ A K 9 5 3 ♦ K 7 ♣ K
--	---	--

NS 4♥; NS 3♠; EW 3♦; EW 3♣; NS 1N; Par +300; EW 5♣×-2; EW 5♦×-2

Contract	Score		Matchpoints		Pair	
	N-S	E-W	N-S	E-W	N-S	E-W
4♥ S 6	480		5.00	0.00	4-Held-Stuart	6-Roche-Smolen
4♥ S 4	420		3.00	2.00	2-Shinsako-Jeffus	1-Kipperman-Fanady
4♥ S 4	420		3.00	2.00	3-Mankin-Porter	3-Robertson-Drysdale
4♥ S 4	420		3.00	2.00	5-Abbott-Weiss	2-Rogers-Rogers
3♥ S 4	170		0.50	4.50	1-Lee-Osterweil	5-Leichum-Greening
3♥ S 4	170		0.50	4.50	6-Lerner-Strauss	4-Mc Kelvey-Santibanes

Board 12
West Deals
N-S Vul

<p>♠ A Q 7 ♥ A 7 5 ♦ 10 5 2 ♣ Q J 9 7</p>		<p>♠ K J 9 5 2 ♥ Q 9 8 ♦ A K 4 ♣ 10 5</p> <p>♠ 4 ♥ 10 6 4 3 2 ♦ Q J 8 7 3 ♣ A K</p> <p>♠ 10 8 6 3 ♥ K J ♦ 9 6 ♣ 8 6 4 3 2</p>
---	--	---

NS 3♠; EW 3♥; W 2N; EW 3♦; EW 1♣; Par +100; W 3N×-1; EW 4♦×-1; EW 4♥×-1

Contract	Score		Matchpoints		Pair	
	N-S	E-W	N-S	E-W	N-S	E-W
4♥ E -1	50		4.50	0.50	3-Mankin-Porter	3-Robertson-Drysdale
3NT W -1	50		4.50	0.50	4-Held-Stuart	6-Roche-Smolen
3♥ E 3		140	2.50	2.50	1-Lee-Osterweil	5-Leichum-Greening
2♥ E 3		140	2.50	2.50	2-Shinsako-Jeffus	1-Kipperman-Fanady
3♥ E 4		170	1.00	4.00	6-Lerner-Strauss	4-Mc Kelvey-Santibanes
4♠× N -1		200	0.00	5.00	5-Abbott-Weiss	2-Rogers-Rogers

Board 13
 North Deals
 Both Vul

♠ K 7 ♥ A K 8 5 ♦ 7 6 2 ♣ Q 10 6 5	<div style="background-color: green; color: white; padding: 5px; display: inline-block;"> N W E S </div>	♠ A 6 3 ♥ 10 9 6 3 2 ♦ Q 5 3 ♣ A K ♠ Q 10 8 5 ♥ J 7 4 ♦ 10 9 4 ♣ J 9 7 ♠ J 9 4 2 ♥ Q ♦ A K J 8 ♣ 8 4 3 2
---	--	---

NS 3♠; NS 2♥; NS 3♦; NS 1N; NS 2♣; Par +140

Contract	Score		Matchpoints		Pair	
	N-S	E-W	N-S	E-W	N-S	E-W
1 NTN 2	120		3.50	1.50	1-Lee-Osterweil	4-Mc Kelvey-Santibanes
2 NTN 2	120		3.50	1.50	3-Mankin-Porter	2-Rogers-Rogers
2 NT S 2	120		3.50	1.50	4-Held-Stuart	5-Leichum-Greening
1 NTN 2	120		3.50	1.50	5-Abbott-Weiss	1-Kipperman-Fanady
3 ♦ S 3	110		1.00	4.00	6-Lerner-Strauss	3-Robertson-Drysdale
2 NTN -2		200	0.00	5.00	2-Shinsako-Jeffus	6-Roche-Smolen


Board 14
 East Deals
 None Vul

♠ Q 9 6 5 ♥ A 7 2 ♦ 10 8 4 ♣ K Q 10	<div style="background-color: green; color: white; padding: 5px; display: inline-block;"> N W E S </div>	♠ 10 4 2 ♥ 5 ♦ A 7 6 5 2 ♣ A 7 6 3 ♠ A K 8 3 ♥ J 10 9 8 4 ♦ — ♣ J 9 4 2 ♠ J 7 ♥ K Q 6 3 ♦ K Q J 9 3 ♣ 8 5
--	---	--

EW 4♠; EW 4♥; NS 3♦; EW 3♣; Par -300; NS 5♦×-2

Contract	Score		Matchpoints		Pair	
	N-S	E-W	N-S	E-W	N-S	E-W
2♦× S 3	280		5.00	0.00	4-Held-Stuart	5-Leichum-Greening
3♦ N 3	110		4.00	1.00	6-Lerner-Strauss	3-Robertson-Drysdale
2♥× E -1	100		3.00	2.00	1-Lee-Osterweil	4-Mc Kelvey-Santibanes
4♦ S -1		50	2.00	3.00	5-Abbott-Weiss	1-Kipperman-Fanady
3♠ W 3		140	1.00	4.00	3-Mankin-Porter	2-Rogers-Rogers
3♠ W 5		200	0.00	5.00	2-Shinsako-Jeffus	6-Roche-Smolen


Board 15
 South Deals
 N-S Vul

♠ Q 4 ♥ K 10 6 4 2 ♦ K 2 ♣ J 9 7 2		♠ K 7 6 ♥ 5 ♦ Q J 8 5 4 ♣ K 10 8 6 ♠ A 10 8 5 2 ♥ 9 8 7 ♦ A 10 3 ♣ A 4 ♠ J 9 3 ♥ A Q J 3 ♦ 9 7 6 ♣ Q 5 3
---	--	---

EW 3♥; W 1N; EW 1♠; NS 1♦; NS 1♣; Par -140

Contract		Score		Matchpoints			Pair
		N-S	E-W	N-S	E-W	N-S	E-W
2♦	N 2	90		5.00	0.00	5-Abbott-Weiss	1-Kipperman-Fanady
1NT	W 1		90	3.50	1.50	2-Shinsako-Jeffus	6-Roche-Smolen
1NT	W 1		90	3.50	1.50	6-Lerner-Strauss	3-Robertson-Drysdale
1NT	W 2		120	2.00	3.00	1-Lee-Osterweil	4-Mc Kelvey-Santibanes
3♠	E 3		140	1.00	4.00	3-Mankin-Porter	2-Rogers-Rogers
2♥	W 4		170	0.00	5.00	4-Held-Stuart	5-Leichum-Greening


Board 16
West Deals
E-W Vul

<p>♠ A Q 9 ♥ A K ♦ K Q 6 4 2 ♣ K 7 5</p>		<p>♠ K 6 3 2 ♥ 10 7 5 2 ♦ 3 ♣ Q J 10 9</p> <p>♠ J 10 ♥ Q J 4 ♦ A J 10 9 5 ♣ A 8 3</p> <p>♠ 8 7 5 4 ♥ 9 8 6 3 ♦ 8 7 ♣ 6 4 2</p>
--	--	--

EW 6N; EW 6♦; EW 3♠; EW 3♥; W 4♣; E 3♣; Par -1440

Contract	Score		Matchpoints		Pair	Pair
	N-S	E-W	N-S	E-W		
6 NT W -1	100		5.00	0.00	4-Held-Stuart	5-Leichum-Greening
6 NT W 6		1440	2.00	3.00	1-Lee-Osterweil	4-Mc Kelvey-Santibanes
6 NT W 6		1440	2.00	3.00	2-Shinsako-Jeffus	6-Roche-Smolen
6 NT W 6		1440	2.00	3.00	3-Mankin-Porter	2-Rogers-Rogers
6 NT W 6		1440	2.00	3.00	5-Abbott-Weiss	1-Kipperman-Fanady
6 NT W 6		1440	2.00	3.00	6-Lerner-Strauss	3-Robertson-Drysdale

Board 17
 North Deals
 None Vul

♠ Q 10 9 ♥ 10 8 7 ♦ 7 6 4 2 ♣ A 6 2		♠ J 6 5 4 3 2 ♥ 9 3 2 ♦ K 3 ♣ 5 3 ♠ K 7 ♥ J 5 ♦ A 10 9 ♣ K J 10 9 7 4 ♠ A 8 ♥ A K Q 6 4 ♦ Q J 8 5 ♣ Q 8
--	--	--

NS 3♥; NS 2♠; EW 1N; EW 2♣; NS 1♦; Par +140

Contract	Score		Matchpoints		Pair	
	N-S	E-W	N-S	E-W	N-S	E-W
3♥ S 3	140		3.00	2.00	1-Lee-Osterweil	3-Robertson-Drysdale
2♥ S 3	140		3.00	2.00	2-Shinsako-Jeffus	5-Leichum-Greening
3♥ S 3	140		3.00	2.00	3-Mankin-Porter	1-Kipperman-Fanady
3♥ S 3	140		3.00	2.00	4-Held-Stuart	4-Mc Kelvey-Santibanes
2♥ S 3	140		3.00	2.00	5-Abbott-Weiss	6-Roche-Smolen
4♣ E -2	100		0.00	5.00	6-Lerner-Strauss	2-Rogers-Rogers


Board 18
 East Deals
 N-S Vul

<p>♠ J ♥ J 10 4 2 ♦ A 4 3 2 ♣ K J 9 7</p>		<p>♠ Q 9 7 6 4 3 2 ♥ 9 7 ♦ K ♣ A 6 2</p> <p>♠ A K 10 5 ♥ A 6 3 ♦ 9 7 5 ♣ 5 4 3</p> <p>♠ 8 ♥ K Q 8 5 ♦ Q J 10 8 6 ♣ Q 10 8</p>
--	--	--

EW 1N; EW 1♥; S 1♦; EW 1♣; Par -90

Contract	Score		Matchpoints		Pair N-S	Pair E-W
	N-S	E-W	N-S	E-W		
2 ♠ × N -2	670		5.00	0.00	6-Lerner-Strauss	2-Rogers-Rogers
Pass	Pass		4.00	1.00	1-Lee-Osterweil	3-Robertson-Drysdale
2 ♠ N -1		100	3.00	2.00	2-Shinsako-Jeffus	5-Leichum-Greening
2 ♠ × N -1		200	2.00	3.00	5-Abbott-Weiss	6-Roche-Smolen
2 ♠ × N -2		500	1.00	4.00	3-Mankin-Porter	1-Kipperman-Fanady
3 ♠ × N -4		1100	0.00	5.00	4-Held-Stuart	4-Mc Kelvey-Santibanes

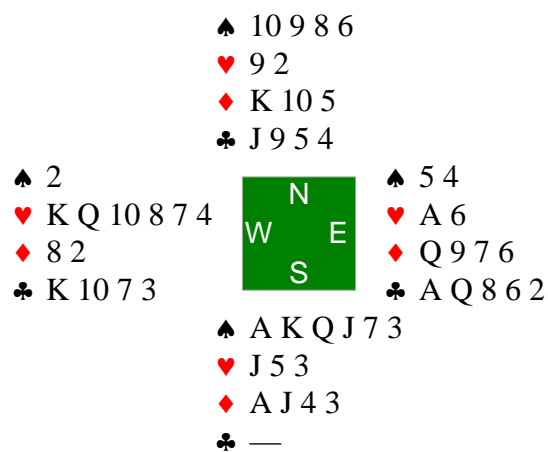
Board 19
 South Deals
 E-W Vul

♠ 10 9 3 ♥ 9 8 6 ♦ A 9 5 2 ♣ Q 4 3		♠ A 2 ♥ 7 5 4 3 ♦ 8 ♣ A K 9 8 5 2 ♠ K Q 8 ♥ A Q 10 2 ♦ Q J 10 7 4 ♣ 7 ♠ J 7 6 5 4 ♥ K J ♦ K 6 3 ♣ J 10 6
---	--	---

EW 4♦; EW 2♥; NS 3♣; NS 1♠; Par -130

Contract	Score		Matchpoints		Pair	Pair
	N-S	E-W	N-S	E-W		
2 ♣ N 3	110		5.00	0.00	5-Abbott-Weiss	6-Roche-Smolen
2 ♣ N 2	90		4.00	1.00	4-Held-Stuart	4-Mc Kelvey-Santibanes
3 ♣ N -1		50	2.50	2.50	3-Mankin-Porter	1-Kipperman-Fanady
4 ♣ N -1		50	2.50	2.50	6-Lerner-Strauss	2-Rogers-Rogers
3 ♦ E 3		110	1.00	4.00	2-Shinsako-Jeffus	5-Leichum-Greening
2 ♦ E 4		130	0.00	5.00	1-Lee-Osterweil	3-Robertson-Drysdale

Board 20
 West Deals
 Both Vul



NS 5♠; EW 4♣; E 2♥; W 1♥; NS 1♦; Par +500: EW 6♣×-2

Contract	Score		Matchpoints		Pair	
	N-S	E-W	N-S	E-W	N-S	E-W
4♠ S 5	650		5.00	0.00	3-Mankin-Porter	1-Kipperman-Fanady
4♠ S 4	620		4.00	1.00	2-Shinsako-Jeffus	5-Leichum-Greening
3♠ S 5	200		3.00	2.00	5-Abbott-Weiss	6-Roche-Smolen
3♠ S 4	170		2.00	3.00	6-Lerner-Strauss	2-Rogers-Rogers
4♣ E 4		130	1.00	4.00	4-Held-Stuart	4-Mc Kelvey-Santibanes
5♠×S -1		200	0.00	5.00	1-Lee-Osterweil	3-Robertson-Drysdale

Board 21
 North Deals
 N-S Vul

<p>♠ 9 7 4 ♥ 10 7 6 3 2 ♦ Q ♣ K 10 8 4</p>	<div style="background-color: green; color: white; padding: 5px; display: inline-block;"> N W E S </div>	<p>♠ A Q 8 5 3 ♥ 8 5 ♦ A K 6 ♣ A J 7</p> <p>♠ 2 ♥ A K Q 9 4 ♦ J 10 9 8 2 ♣ 5 3</p>	<p>♠ K J 10 6 ♥ J ♦ 7 5 4 3 ♣ Q 9 6 2</p>
---	--	--	--

N 5N; S 4N; NS 4♥; NS 5♦; NS 2♠; Par +660

Contract	Score		Matchpoints		Pair	
	N-S	E-W	N-S	E-W	N-S	E-W
3 NT S 4	630		4.00	1.00	2-Shinsako-Jeffus	4-Mc Kelvey-Santibanes
3 NT S 4	630		4.00	1.00	3-Mankin-Porter	6-Roche-Smolen
3 NT N 4	630		4.00	1.00	6-Lerner-Strauss	1-Kipperman-Fanady
3 ♥ S 4	170		2.00	3.00	1-Lee-Osterweil	2-Rogers-Rogers
6 NT N -1		100	1.00	4.00	4-Held-Stuart	3-Robertson-Drysdale
6 NT S -2		200	0.00	5.00	5-Abbott-Weiss	5-Leichum-Greening


Board 22
 East Deals
 E-W Vul

♠ K 8 4 ♥ J 8 5 ♦ A K J ♣ K 7 5 3	♠ 9 5 3 ♥ A K Q 10 7 6 2 ♦ 6 3 ♣ Q <div style="display: inline-block; background-color: green; color: white; padding: 5px; margin: 5px;"> N W E S </div> ♠ A J 7 ♥ 9 4 3 ♦ Q 10 9 5 ♣ J 6 2	♠ Q 10 6 2 ♥ — ♦ 8 7 4 2 ♣ A 10 9 8 4
--	--	--

NS 3♥; E 2N; E 3♣; EW 1♦; Par +140

Contract	Score		Matchpoints		Pair	Pair
	N-S	E-W	N-S	E-W		
3♥×N 3	530		5.00	0.00	6-Lerner-Strauss	1-Kipperman-Fanady
2♠ E -2	200		4.00	1.00	2-Shinsako-Jeffus	4-Mc Kelvey-Santibanes
3♥ N 3	140		2.50	2.50	4-Held-Stuart	3-Robertson-Drysdale
3♥ N 3	140		2.50	2.50	5-Abbott-Weiss	5-Leichum-Greening
2♥ N 2	110		1.00	4.00	1-Lee-Osterweil	2-Rogers-Rogers
2♣ N 2	90		0.00	5.00	3-Mankin-Porter	6-Roche-Smolen

Board 23
 South Deals
 Both Vul

♠ 10 4 ♥ A J 6 3 ♦ A 3 2 ♣ 8 5 4 3		♠ A J 8 7 ♥ 10 7 5 ♦ J 10 9 5 ♣ J 9 ♠ 6 5 3 ♥ K Q 8 2 ♦ 8 6 4 ♣ A 7 2 ♠ K Q 9 2 ♥ 9 4 ♦ K Q 7 ♣ K Q 10 6
---	--	---

NS 3♠; NS 1N; NS 2♦; EW 1♥; NS 1♣; Par +140

Contract		Score		Matchpoints		Pair	
		N-S	E-W	N-S	E-W	N-S	E-W
3 ♠	N 3	140		5.00	0.00	1-Lee-Osterweil	2-Rogers-Rogers
1 NT	S 1	90		2.00	3.00	2-Shinsako-Jeffus	4-Mc Kelvey-Santibanes
1 NT	S 1	90		2.00	3.00	3-Mankin-Porter	6-Roche-Smolen
1 NT	S 1	90		2.00	3.00	4-Held-Stuart	3-Robertson-Drysdale
1 NT	N 1	90		2.00	3.00	5-Abbott-Weiss	5-Leichum-Greening
1 NT	S 1	90		2.00	3.00	6-Lerner-Strauss	1-Kipperman-Fanady

Board 24
 West Deals
 None Vul

♠ K 6 5 ♥ Q 8 7 6 5 3 ♦ A 5 ♣ 5 4	<div style="display: inline-block; background-color: green; color: white; padding: 5px;"> N W E S </div>	♠ A 9 7 ♥ J ♦ 7 4 ♣ A K Q 10 9 7 2 ♠ J 10 4 2 ♥ A 10 4 ♦ K Q 10 6 2 ♣ 3 ♠ Q 8 3 ♥ K 9 2 ♦ J 9 8 3 ♣ J 8 6
--	--	--

EW 4♥; NS 2N; NS 3♣; EW 2♦; EW 1♠; Par -300: NS 4N×-2; NS 5♣×-2

Contract	Score		Matchpoints		Pair	Pair
	N-S	E-W	N-S	E-W		
5♥×W-2	300		5.00	0.00	4-Held-Stuart	3-Robertson-Drysdale
4♣ N 4	130		4.00	1.00	5-Abbott-Weiss	5-Leichum-Greening
4♣ N -1		50	3.00	2.00	1-Lee-Osterweil	2-Rogers-Rogers
3♥ W 4		170	1.50	3.50	2-Shinsako-Jeffus	4-Mc Kelvey-Santibanes
3♥ W 4		170	1.50	3.50	6-Lerner-Strauss	1-Kipperman-Fanady
5♣×N-2		300	0.00	5.00	3-Mankin-Porter	6-Roche-Smolen

